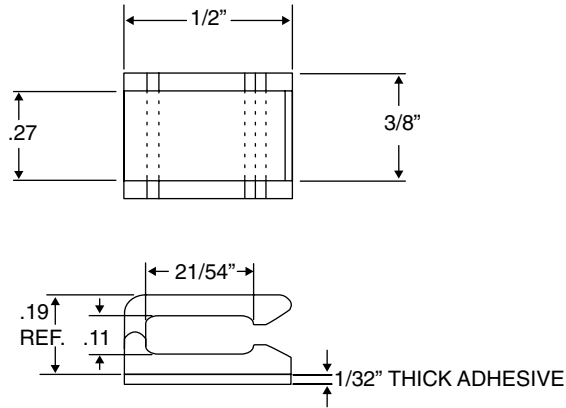


**Date Last Revised: 9/13/11**

**DIMENSIONS: in.**



Note: ALL Dimensions +/- .015

Adhesive Backed Nylon Wire and Cable Clips are used to route wires and cables. The parts are backed with polyethylene foam tape, and feature a releasable clip so wires can be removed after assembly if desired. Parts are stocked in natural. Available in black.

<b>Description</b>	Adhesive Backed Wire Clip
RoHS Compliant	

Adhesive - Shelf Life is 24 months from date of mfg.

**Available from Mouser Electronics**  
**1-800-346-6873 / www.mouser.com**

EPD-200754